

Contactez votre service SAV  
 Voir note 408837  
 Contact your sale representative  
 See note # 408837

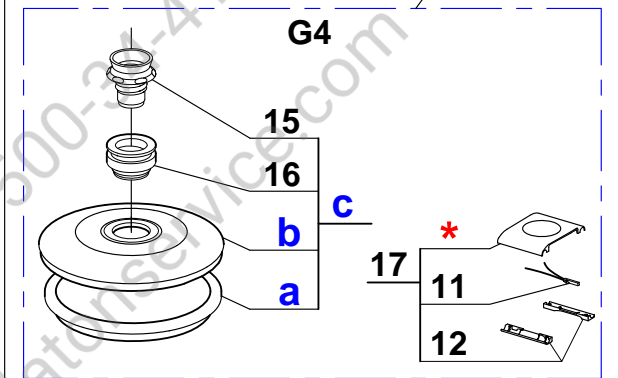
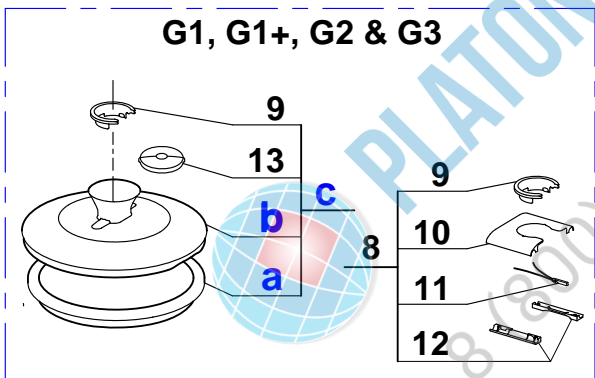
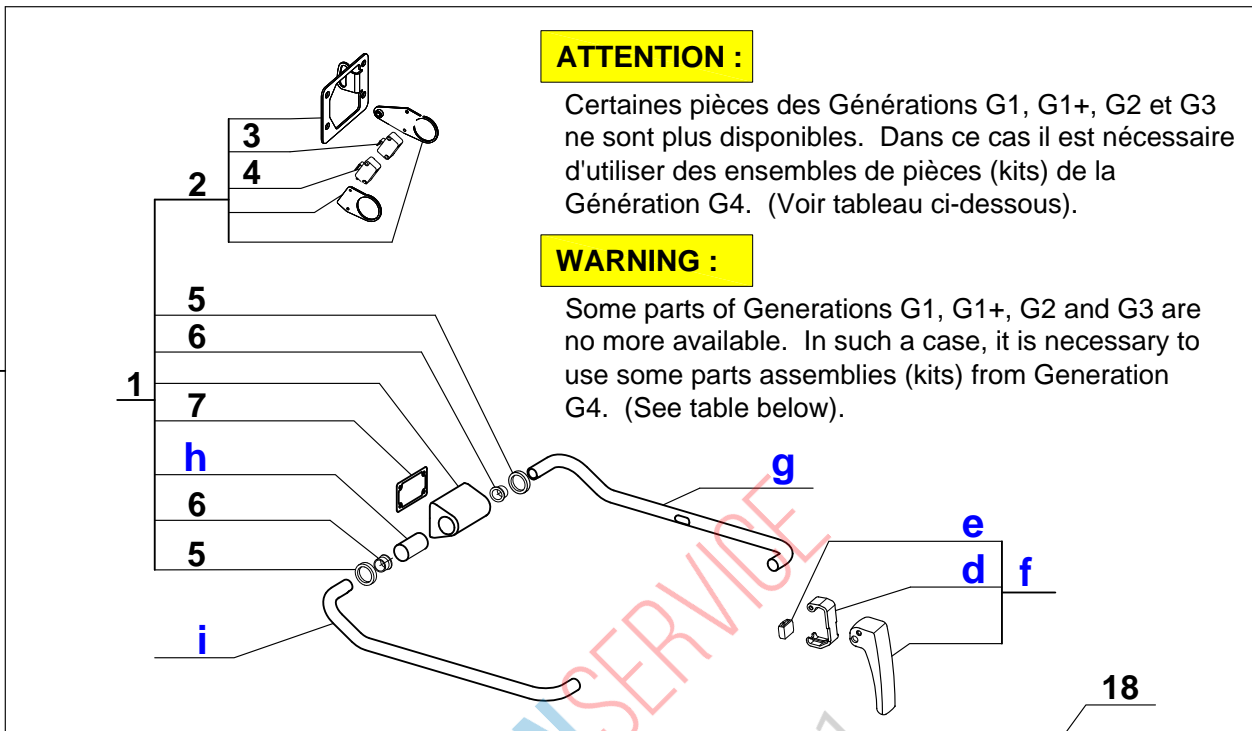
Index PDF	Référence	Designation commerciale	Tarif
A	119180	PCB R60 PLUS 400/50	1,501.50 EUR
B	59160	POWER CORD PROTECT	20.40 EUR
C	<del>504272</del> 504272S	POWER CORD	140.70 EUR
M	<del>303403</del> 303103S	MOTOR	2,735.40 EUR
2	59273	LID ARM SAFETY	48.70 EUR
3	501258	SAFETY SWITCH	19.20 EUR
4	507250	SAFETY SWITCH	15.00 EUR
5	501424	SEALING RING SIMRI	3.50 EUR
6	<del>448426</del> 118126S	HINGE BUSH	4.70 EUR
7	118255	HINGE FLAT SEAL	4.70 EUR
9	118100	LID SEAL VCM	12.60 EUR
11	<del>448432</del> 118132S	ARM REED SWITCH VCM	22.40 EUR
12	59131	ARM CLIP ASSEMBLY	17.10 EUR
13	118573	SOFT LID COVER VCM	36.10 EUR
37	118254	SWITCH SUPPORT	5.20 EUR
38	59127	SAFETY SWITCH ASSEMBLY	24.40 EUR
39	59148	BOWL ASSEMBLY	1,259.40 EUR
40	<del>448474</del> 118171S	COMPLETE SAFETY PLUG	18.20 EUR
41	59222	SHAFT SEALS ASSEMBLY	66.50 EUR
42	59168	SHAFT TOP SEAL RING ASSEMBLY	53.30 EUR
43	<del>448453</del> 118153S	BOWL SEAL VCM	11.40 EUR
44	<del>507054</del> 507054S	LIP SEAL	11.20 EUR

45	507050 507050S	O RING	5.40 EUR
46	59165	BOWL THRUST ASSEMBLY	119.50 EUR
47	448595 118595S	BOWL SUPPORT VCM	25.00 EUR
48	59143	SEALING SOCKET ASS	248.50 EUR
49	118251	UPPER MOTOR COVER	159.70 EUR
50	448174 118174S	MOTOR DEFLECTOR	29.00 EUR
51	447940 117940S	CASING ACCESS DOOR - NO MORE AVAILABLE	224.10 EUR
52	118257	SEAL DOOR	32.80 EUR
55	118127	ARM SAFETY WIRING	7.30 EUR
56	59151	PCB ASSEMBLY	327.40 EUR
57	59162	TILTING BACK BEARING	211.70 EUR
58	118146	BACK TILTING PIVOT SPACER	29.00 EUR
59	448147 118147S	BACK THRUST WASHER	24.20 EUR
60	448148 118148S	BACK BEARING BUSH	4.80 EUR
61	447959 117959S	TILTING THRUST	25.00 EUR
62	507250	SAFETY SWITCH	15.00 EUR
63	447939 117939S	CASING	1,085.30 EUR
64	448186 118186S	CASING FOOT VCM	31.80 EUR
65	59198	MOTOR SUPPORT ASSEMBLY	369.60 EUR
66	448157 118157S	MOTOR SUPPORT REED SWITCH	27.00 EUR
67	449199 119199S	VCM BOWL SAFETY SWITCH	20.20 EUR

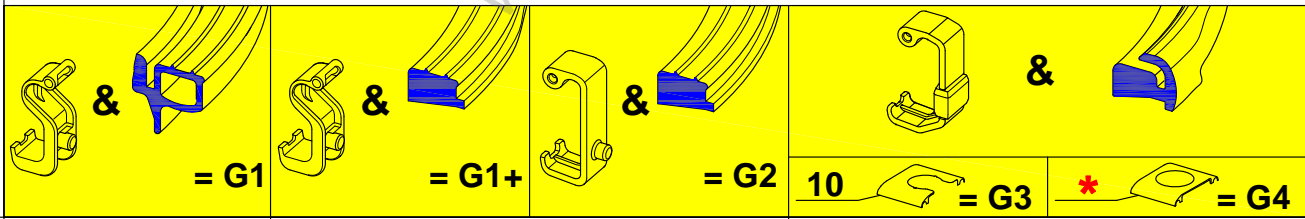
68	449194 119194S	BOWL SAFETY SWITCH HARNES	15.90 EUR
69	59223	TILTING PIVOT STAPLE ASSEMBLY	30.60 EUR
70	118298	BOTTOM MOTOR COVER	603.10 EUR
71	448450 118150S	SLEEVE BUSH	4.80 EUR
72	448468 118168S	SLEEVE	29.00 EUR
73	59163	TILTING FRONT AXLE	127.60 EUR
74	118191	STAND	590.90 EUR
75	447958 117958S	STAND FOOT VCM	28.60 EUR
76	59161	TILTING LOCKING ASS	211.70 EUR
77	448442 118142S	HANDLE VCM	7.50 EUR
78	208582 208582S	MOTOR SHAFT PIN	10.20 EUR
79	448443 118143S	FRONT THRUST WASHER	16.70 EUR
80	448444 118144S	FRONT HEASING BUSH	4.80 EUR
81	448466 118166S	TILTING ADJUSTING NUT	22.00 EUR
82	447956 117956S	PLUG VCM	19.50 EUR
83	59208	LID WIPER ASSEMBLY	74.20 EUR
84	118227	LID WIPER NUT	5.00 EUR
85	118228	WIPER GUIDE	5.00 EUR
86	59239	LID SOFT WIPER ASSEMBLY	19.70 EUR
87	118223	LID WIPER	29.20 EUR
88	57091	STRAIGHT BLADE	1,231.00 EUR
89	57092	COARSE SERRATED BLADE	1,289.00 EUR

90	57095	FINE SERRATED BLADE	1,262.00 EUR
91	405905 105905S	BLADE LOCKING	134.60 EUR
92	405907 105907S	PLASTIC WASHER	10.40 EUR
93	118207	PLASTIC WASHER	9.00 EUR
94	418204 118204S	BLADE SPACER	23.90 EUR
95	418205 118205S	BLADE SPACER	37.30 EUR
96	417954 117954S	STRAIGHT BLADE	181.00 EUR
97	418245 118245S	FINE SERRATED BLADE	187.00 EUR
98	418290 118290S	COARSE SERRATED BLADE	193.00 EUR
99	417932 117932S	BLADE SUPPORT	187.10 EUR
100	418263 118263S	KNIFE TOOL	32.70 EUR
101	419200 119200S	VCM BLADE DISMANTLING	20.40 EUR
102	59440	MOTOR RING KIT	95.80 EUR
103	118220	WIPER HANDLE	16.00 EUR
104	59008	ADJUSTABLE WEDGE (qty: x5)	Contact us
105	59527	BLADE SPACER 15.5MM (NEW MODEL)	23.90 EUR
106	59531	STRAIGHT BLADE (NEW MODEL)	181.00 EUR
107	59536	FINE SERRATED BLADE (NEW MODEL)	187.00 EUR
108	59540	SERRATED BLADE (NEW MODEL)	193.00 EUR
109	59081	[Spare parts translation not found]	92.70 EUR
110	59080	[Spare parts translation not found]	80.80 EUR

14



Déterminer la génération de votre machine selon les formes du crochet et du joint de couvercle.  
 Determine the generation of your machine according to the lid latch and lid seal shapes.



<b>a</b>	19	20	21	
<b>b</b>	22	23	24	25
<b>c</b>	26	27	28	29
<b>d</b>	19	30	23	31
<b>e</b>	Non utilisé en G1, G1+ et G2 / Not used in G1, G1+ and G2.			32
<b>f</b>	22		33	
<b>g</b>	34		35	
<b>h</b>	1			36
<b>i</b>	37			38

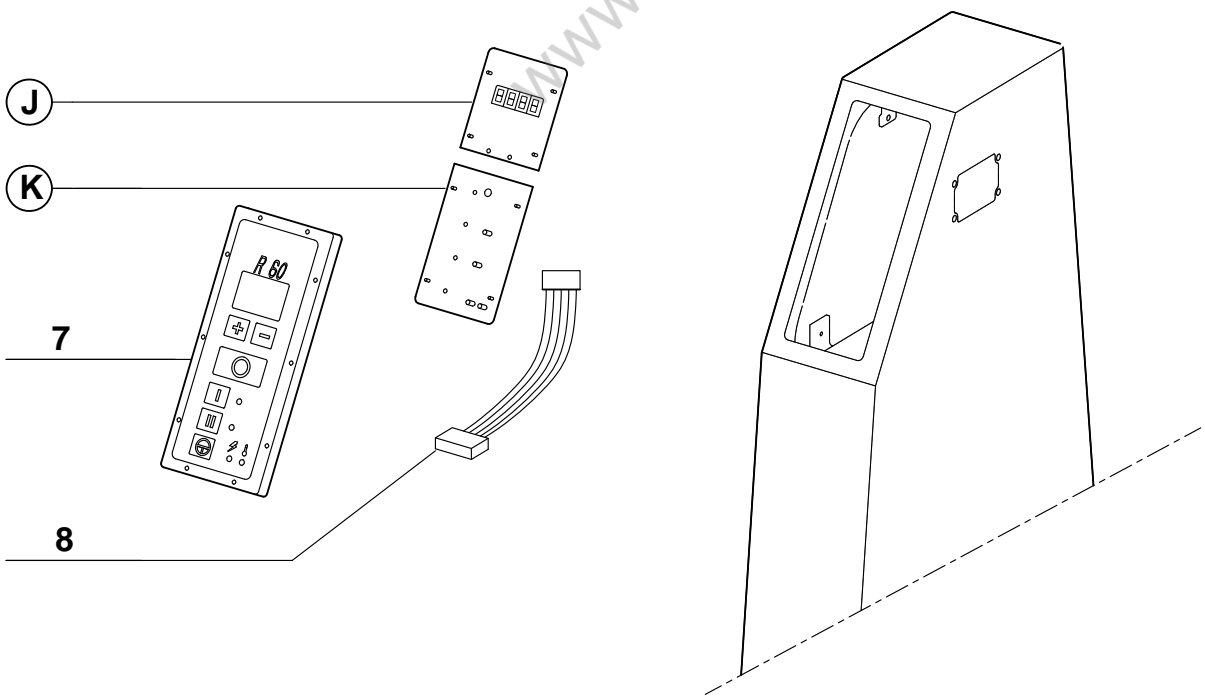
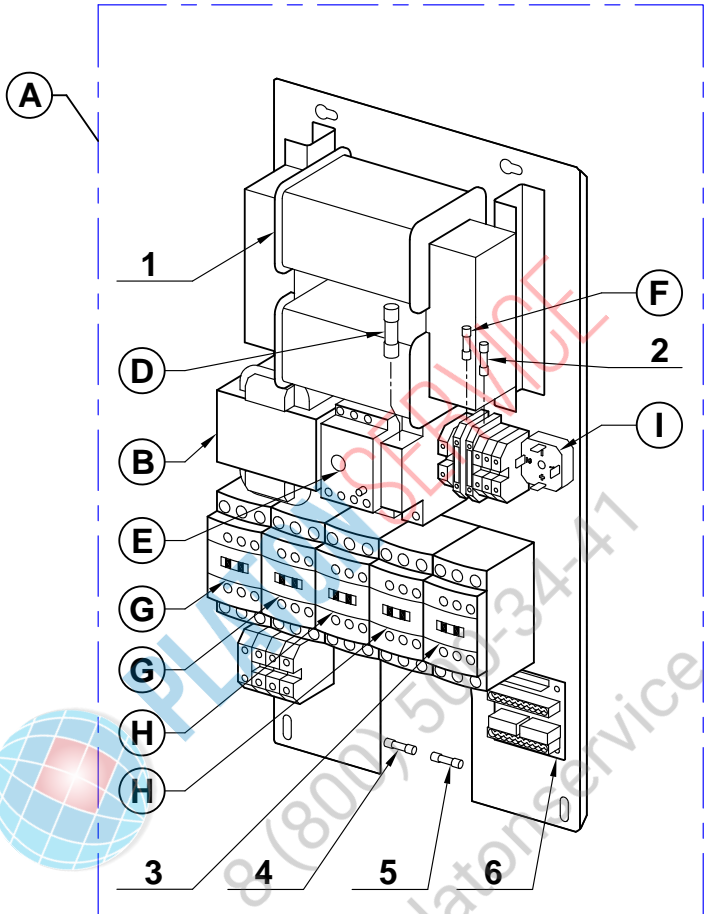
Index PDF	Référence	Designation commerciale	Tarif
1	59128	HINGE ASSEMBLY	168.90 EUR
2	59273	LID ARM SAFETY	48.70 EUR
3	501258	SAFETY SWITCH	19.20 EUR
4	507250	SAFETY SWITCH	15.00 EUR
5	501424	SEALING RING SIMRI	3.50 EUR
6	<del>448426</del> 118126S	HINGE BUSH	4.70 EUR
7	118255	HINGE FLAT SEAL	4.70 EUR
8	59130	No more available - Please contact sales administration for replacement part depending on serial number of the machine	0.00 EUR
9	118100	LID SEAL VCM	12.60 EUR
10	118101	LID SUPPORT - NO MORE AVAILABLE	0.00 EUR
11	<del>448432</del> 118132S	ARM REED SWITCH VCM	22.40 EUR
12	59131	ARM CLIP ASSEMBLY	17.10 EUR
13	118573	SOFT LID COVER VCM	36.10 EUR
14	59327	COMPLETE ARM ASSEMBLY	1,223.40 EUR
19	59263	LID SEAL ASSEMBLY	166.00 EUR
20	119186	LID SEAL	119.90 EUR
21	<del>449266</del> 119266S	G3 LID SEAL	128.50 EUR
22	59286	G1 KIT LID ASSEMBLY	568.30 EUR
23	59290	G2 KIT LID ASSEMBLY	379.70 EUR
24	<del>427526</del> 59475	LID	352.40 EUR
26	59305	G1 KIT LID ASSEMBLY	626.80 EUR
27	59309	G2 KIT LID ASSEMBLY	478.60 EUR
28	59277	LID ASSEMBLY	419.10 EUR

30	118172	LID HOOK (OV)	61.50 EUR
31	449267 119267S	LID LATCH	67.70 EUR
32	449259 119259S	LID LATCH RUBBER STOP	15.80 EUR
33	59272	VCM LID HANDLE ASSEMBLY	159.20 EUR
34	118110	RIGHT LID TUBE	100.20 EUR
35	449240 119210S	RIGHT LID TUBE	105.00 EUR
36	105912	VCM G3 SAFETY SWITCH CAM	16.80 EUR
37	118111	LEFT LID TUBE	100.20 EUR
38	449244 119211S	LEFT LID TUBE	105.00 EUR
1599	59313	LID CONE	25.10 EUR
1699	59318	LID SUPPORT	30.60 EUR
1799	59505	LID SUPPORT ASSEMBLY	330.90 EUR
1899	59452	[Spare parts translation not found]	764.90 EUR
2599	59520	LID	265.90 EUR
2999	59496	LID AND SEAL ASSEMBLY	394.40 EUR



R 60 10000W  
 - 186 - - - - -

R 60 11000W  
 - 303 - - - - -  
 - 334 - - - - -



Index PDF	Référence	Designation commerciale	Tarif
A	119180	PCB R60 PLUS 400/50	1,501.50 EUR
B	503972 503972S	TRANSFORMER	92.50 EUR
D	503356	BREAK FUSE	4.20 EUR
E	503376 503954	THERMAL RELAY 17/25A	0.00 EUR
F	503108 503108S	PRIMARY FUSE	5.40 EUR
G	503362	CONTACTOR	86.70 EUR
H	503969 503969S	HIGHT SPEED CONTACTOR	120.00 EUR
I	511622 511622S	TRANSFORMER	37.90 EUR
J	417999 117999S	TIMER CIRCUIT BOARD - NO MORE AVAILABLE	0.00 EUR
K	417984 59482	COMMAND CIRCUIT	281.30 EUR
1	503973 503973S	TRANSFORMER	337.20 EUR
2	500537	PRIMARY FUSE	5.60 EUR
3	503362	CONTACTOR	86.70 EUR
4	504253	SECONDARY FUSE	5.60 EUR
5	507124 507121S	SECONDARY FUSE	4.80 EUR
6	417980 117980S	CONNECTION CARD	65.40 EUR
7	59151	PCB ASSEMBLY	327.40 EUR
8	417982 117982S	FLAT LINK CABLE	24.30 EUR